



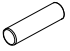


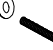
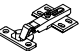




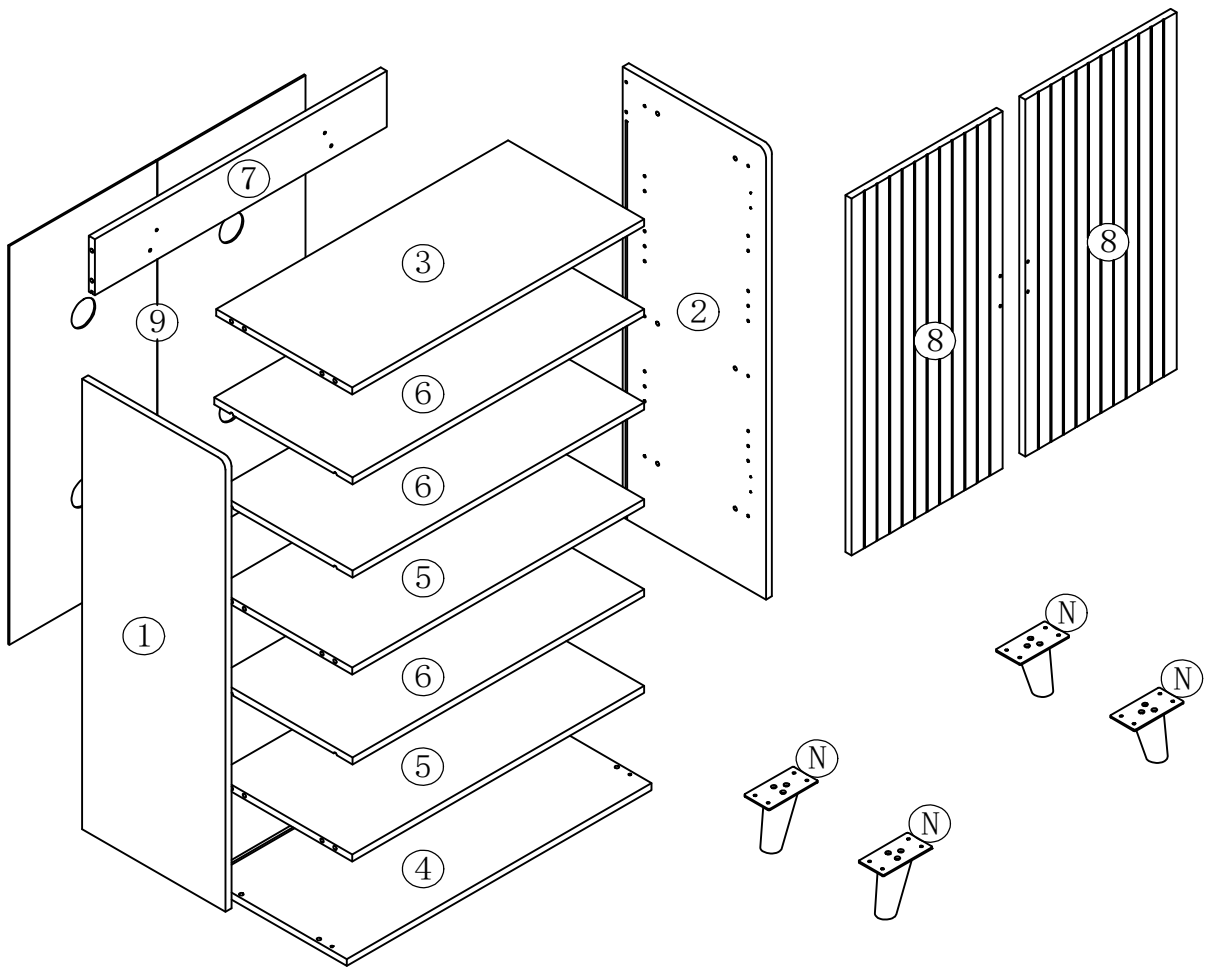


ASSEMBLY INSTRUCTION

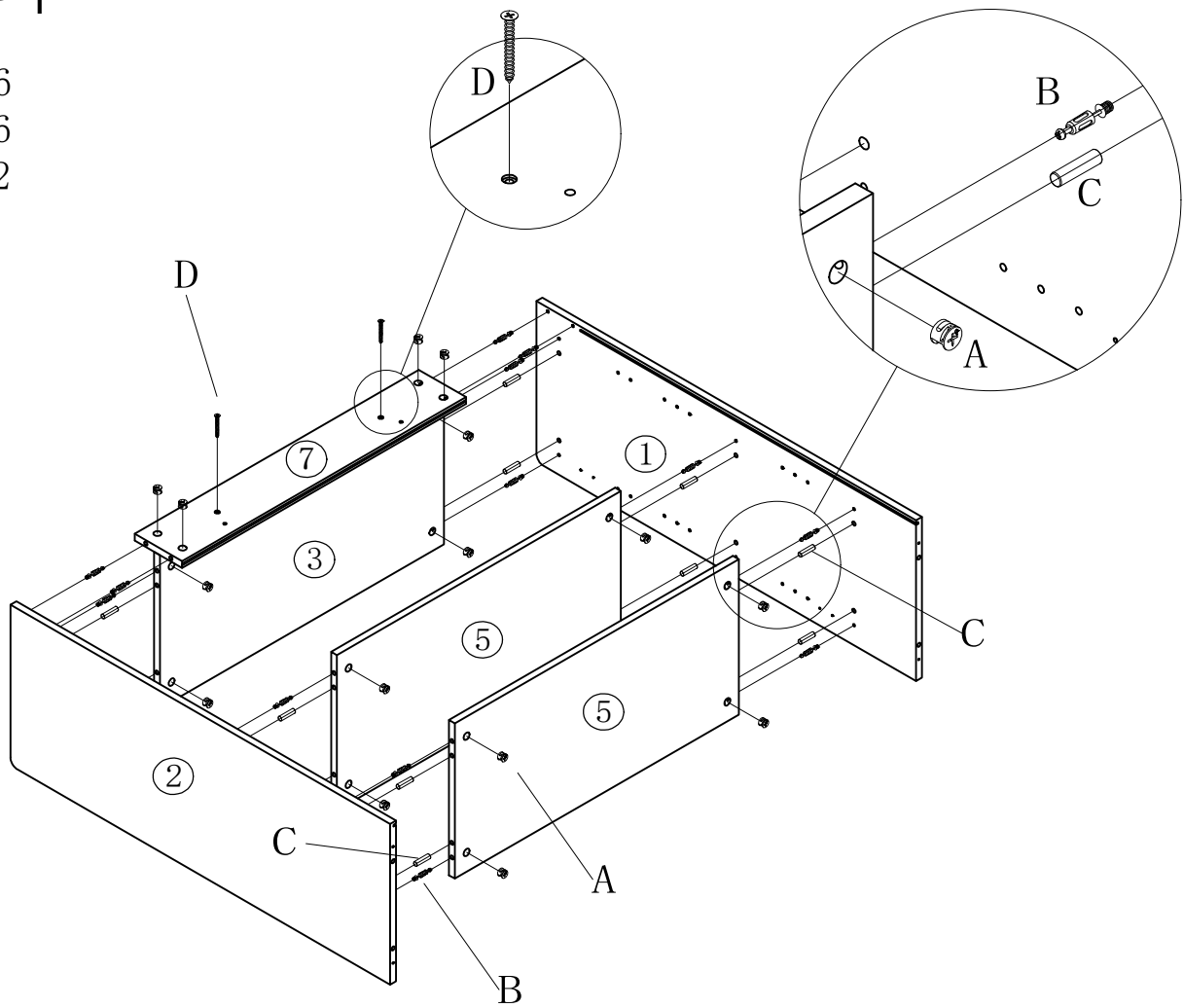
HIRO 110 Shoe rack

A		Ø 15x12	16	PCS	H		Ø 4x45	2	PCS
B		Ø 7x35	16	PCS	I		Ø 7.8x38	2	PCS
C		Ø 8x30	16	PCS	J		64MM	2	PCS
D		Ø 4x40	6	PCS	K		M4x20	4	PCS
E			4	PCS	L			10	PCS
F		Ø 4x16	40	PCS	M		Ø 3x16	10	PCS
G			12	PCS					



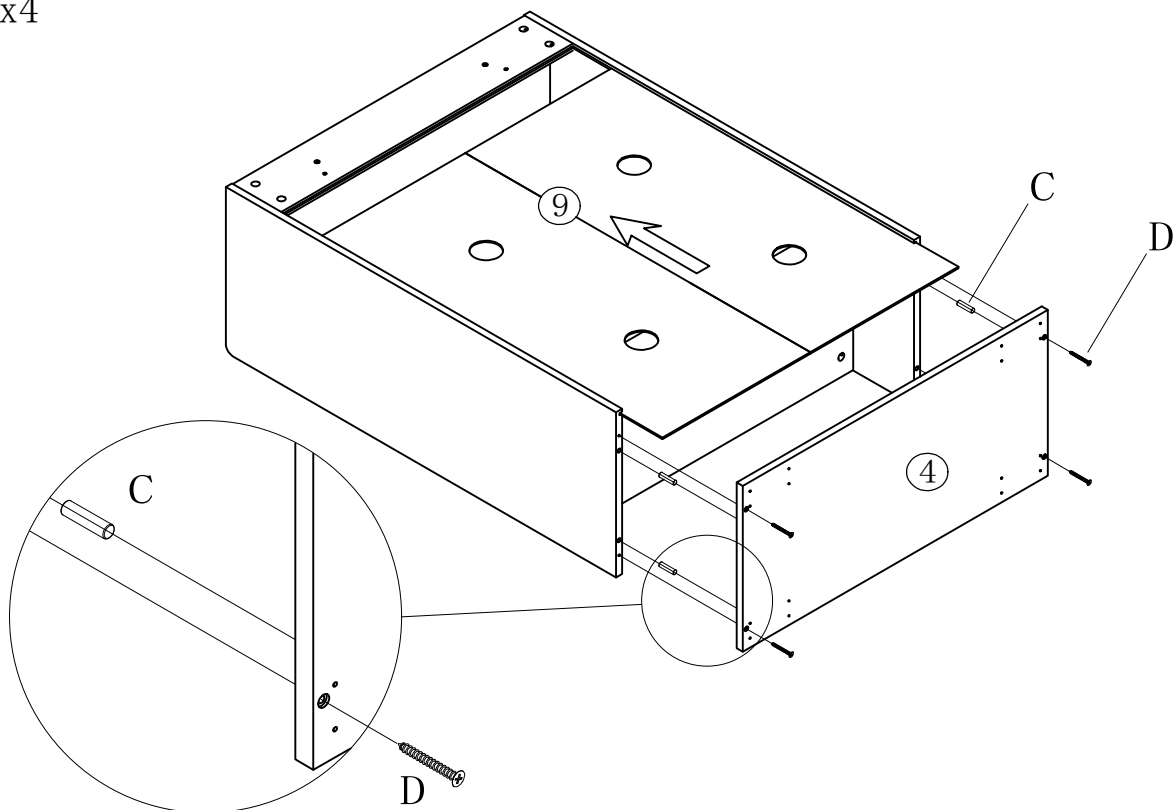
STEP 1

Ax16
Bx16
Cx12
Dx2



STEP 2

Cx4
Dx4



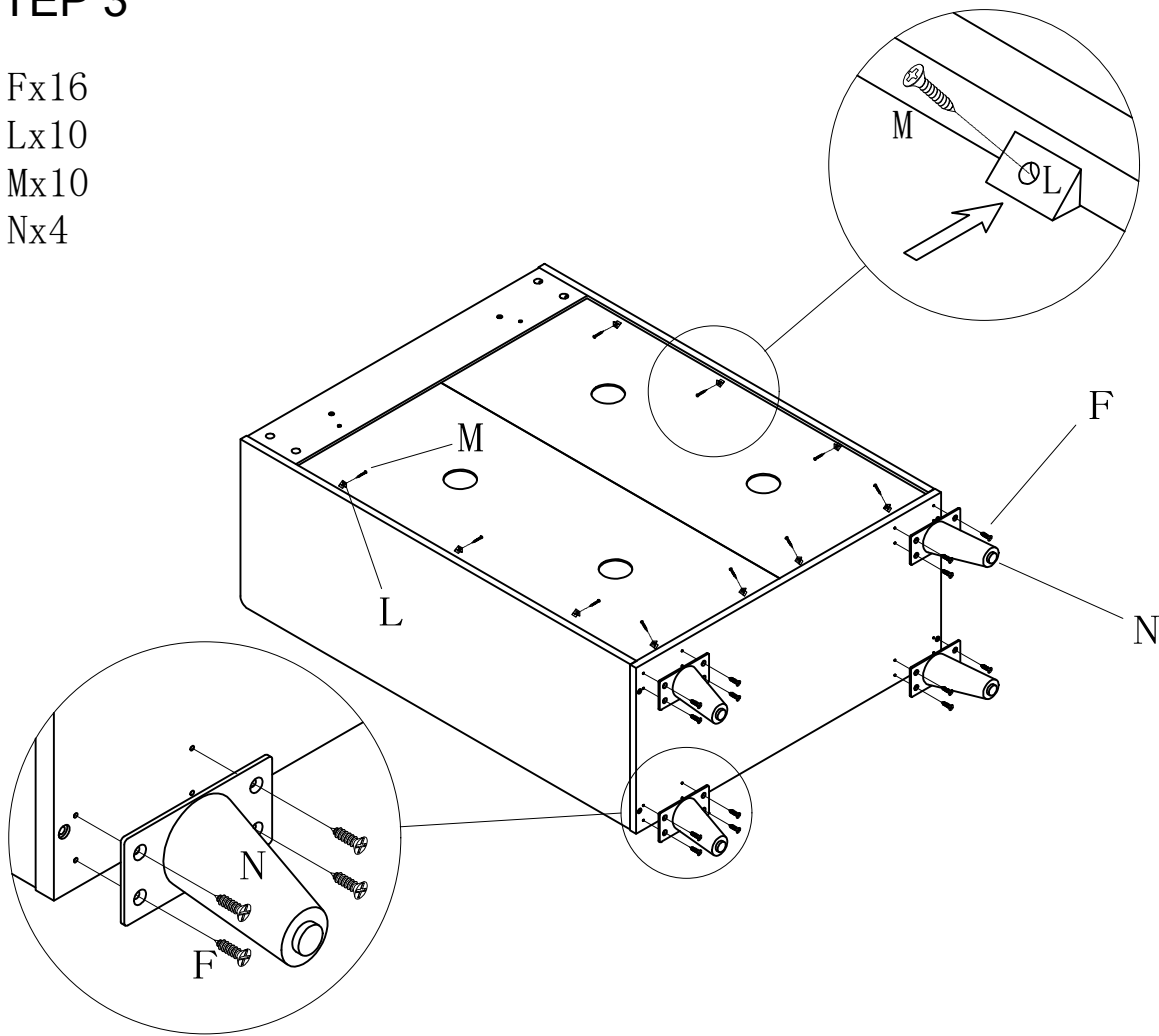
STEP 3

Fx16

Lx10

Mx10

Nx4

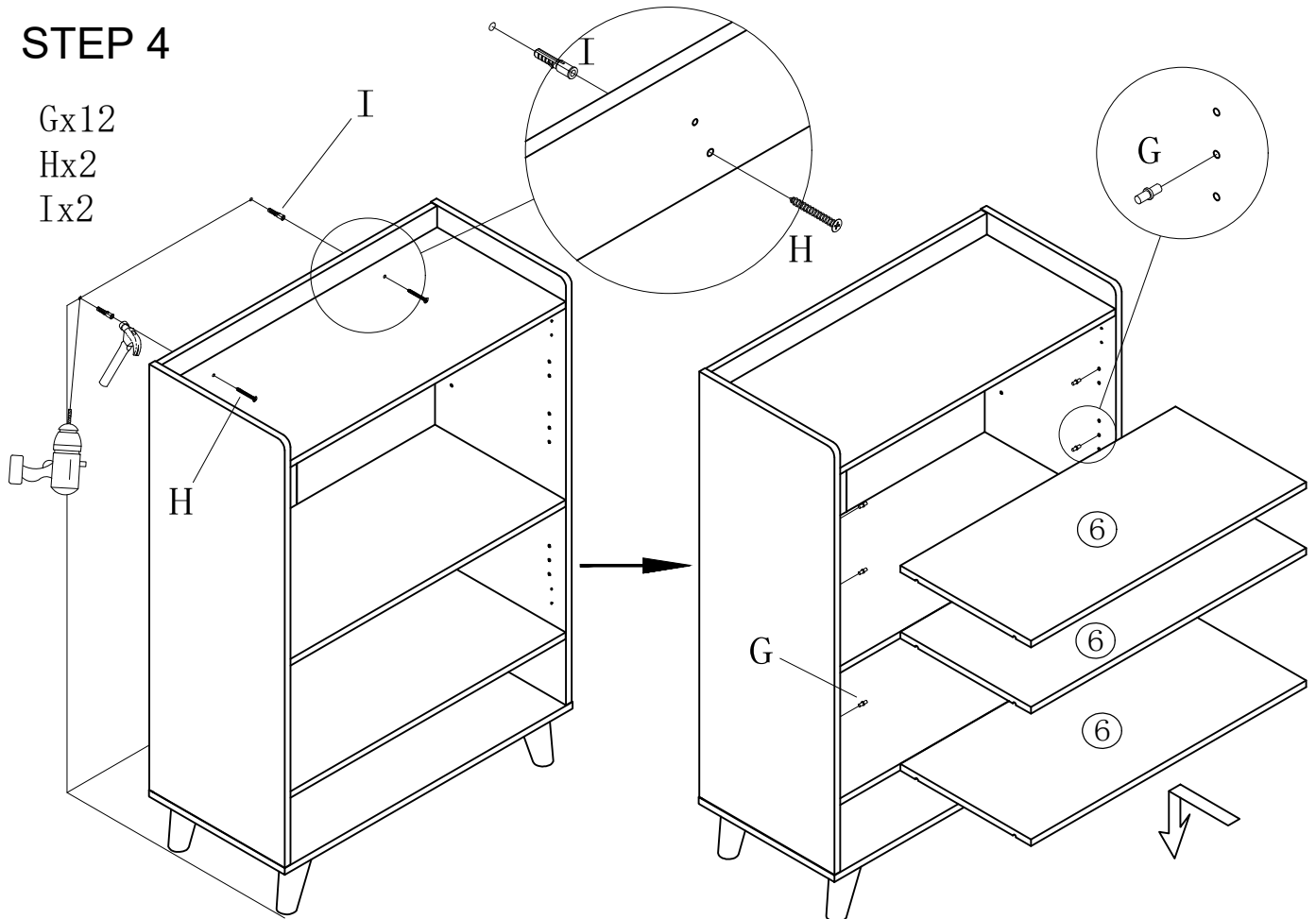


STEP 4

Gx12

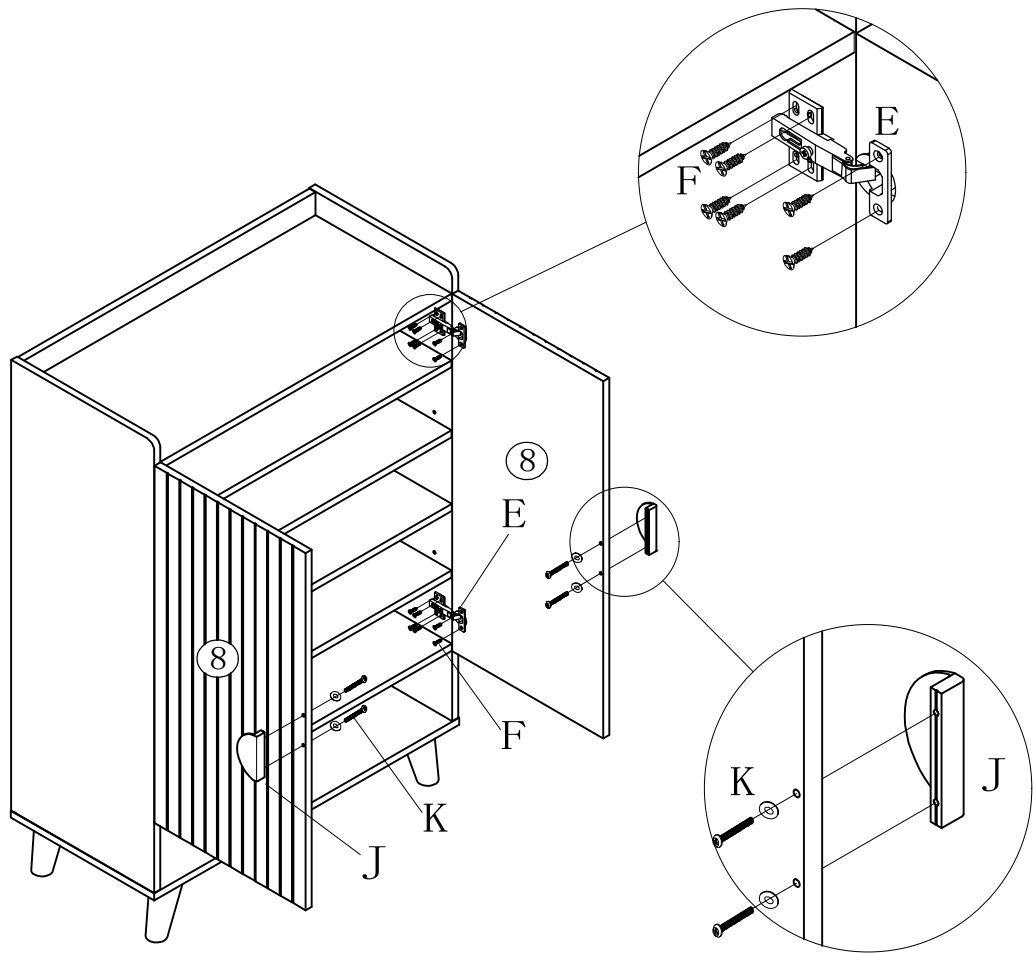
Hx2

Ix2



STEP 5

Ex4
Fx24
Jx2
Kx4



FINISH

